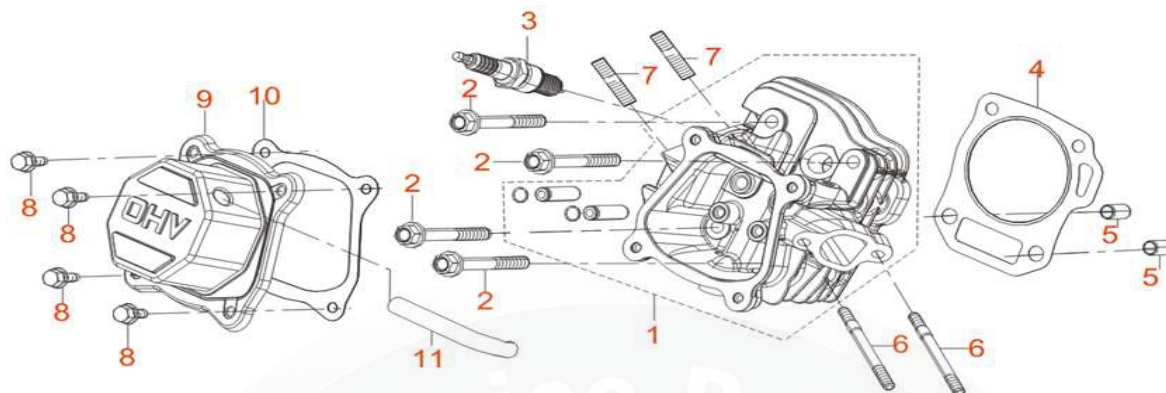


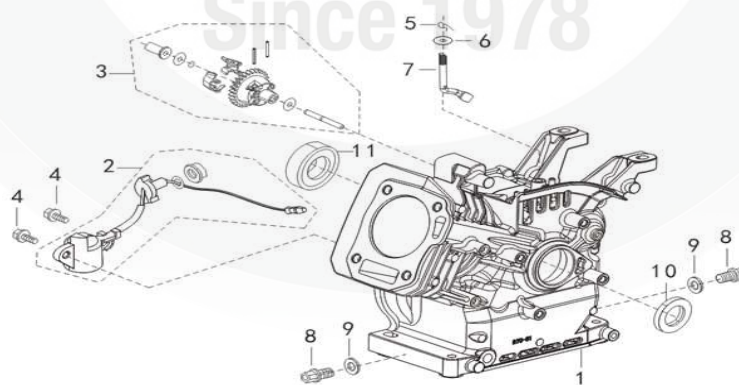
HK212E / HK212RE Engine

FIG.1 HEAD SUBASSEMBLY, CYLINDER / PLUG, SPARK (E04)



REF.NO.	PART NO	DESCRIPTION	Q'TY
E01-1	G1214E0101000	HEAD SUBASSEMBLY, CYLINDER	1
E01-2	G910110060010	BOLT, CYLINDER HEAD	4
E01-3	G1567E0101000	PLUG, SPARK	1
E01-4	G1230E0102000	GASKET, CYLINDER HEAD	1
E01-5	G905110014000	PIN	2
E01-6	G900306113010	STUD	1
E01-7	G910308034010	STUD	2
E01-8	G900106014010	BOLT	4
E01-9	G1241E0101010	COVER SUBASSEMBLY, CYLINDER HEAD	1
E01-10	G1204E0102000	GASKET, CYLINDER HEAD COVER	1
E01-11	G1703E0103000	TUBE, BREATHER	1

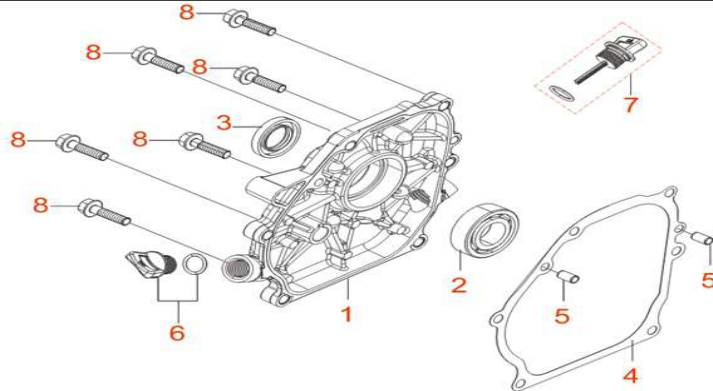
FIG.2 CRANKCASE. / GEAR ASSY, GOVERNOR. (E17)



REF.NO.	PART NO	DESCRIPTION	Q'TY
E17-1	G1131E0101000	CRANKCASE SUBASSEMBLY.	1
E17-2	G1536E0101000	SENSOR, ENGINE OIL	1
E17-3	G1660E0101000	GEAR ASSY, GOVERNOR	1
E17-4	G900106014010	BOLT	2
E17-5	G9052E0101000	PIN	1
E17-6	G9041E0102000	WASHER	1
E17-7	G1607E0101000	ARM, GOVERNOR	1
E17-8	G910110015010	BOLT, DRAIN PLUG	2
E17-9	G9041E0101000	WASHER	2
E17-10	G9065E0101000	SEAL, OIL	1
E17-11	G905462056000	BEARING	1

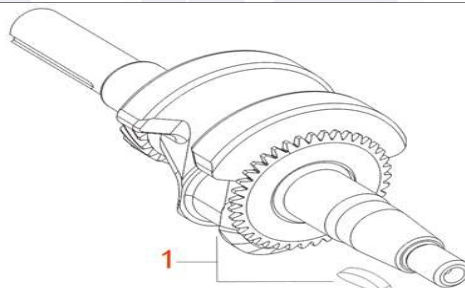
HK212E / HK212RE Engine

FIG.3 COVER SUBASSEMBLY, CRANKCASE (E01)



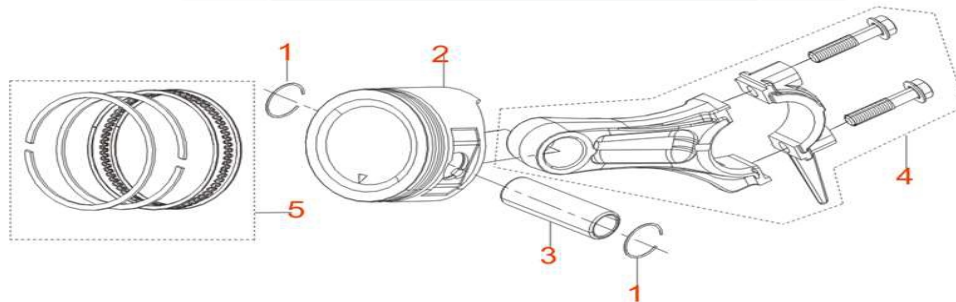
REF.NO.	PART NO	DESCRIPTION	Q'TY
E01-1	G1141E0101000	COVER, CRANKCASE	1
E01-2	G905462056000	BEARING	1
E01-3	G9065E0101000	SEAL, OIL	1
E01-4	G1101E0101000	GASKET, CRANKCASE	1
E01-5	G905108012000	PIN	2
E01-6	G1503E0101110	PLUG SUBASSEMBLY, ENGINE OIL	1
E01-7	G1501E0101110	DIPSTICK SUBASSEMBLY, OIL	1
E01-8	G900108032010	BOLT	6

FIG.4 ROD,CRANKSHAFT CONNETING (E03)



REF.NO.	PART NO	DESCRIPTION	Q'TY
E03-1	G1330E0101000	CRANKSHAFT ASSY.	1

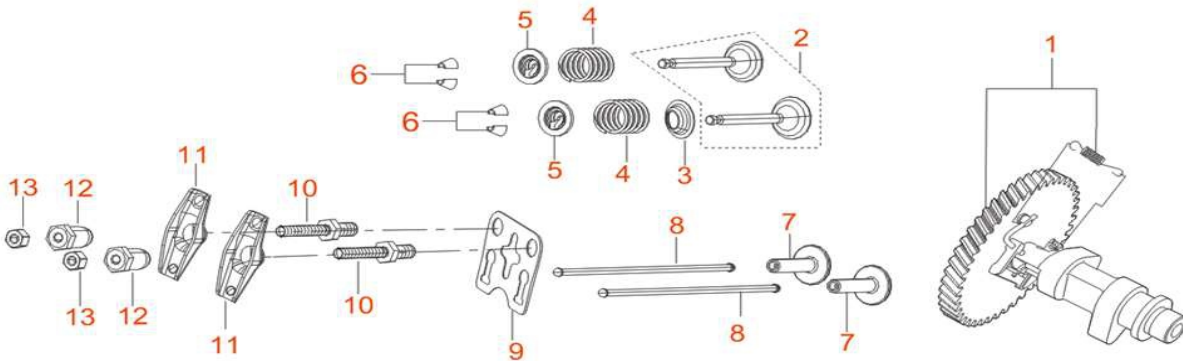
FIG.5 RING SET,OIL / ROD,CRANKSHAFT CONNETING (E03)



REF.NO.	PART NO	DESCRIPTION	Q'TY
E03-1	G1313E0101000	CLIP, PISTON PIN	2
E03-2	G1311E0101000	PISTON	1
E03-3	G1312E0101000	PIN, PISTON	1
E03-4	G1301E0101000	ROD, CONNECTING	1
E03-5	G1320E0101000	RING, THE FIRST	1

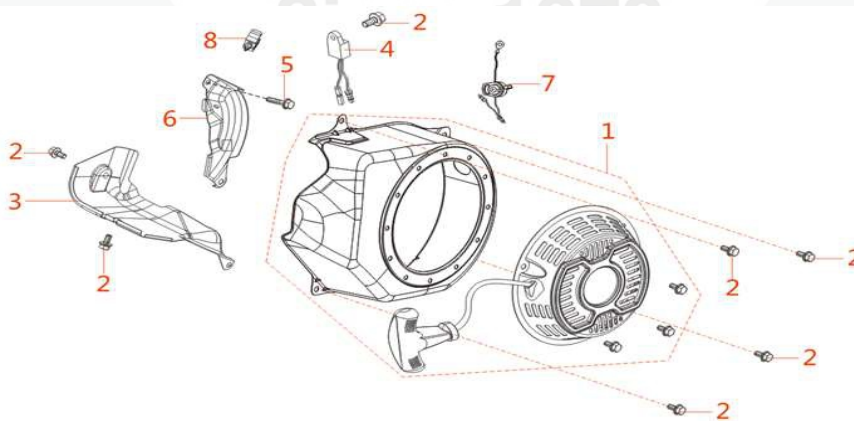
HK212E / HK212RE Engine

FIG.6 TRAIN, VALVE / CAMSHAFT SUBASSEMBLY (E05)



REF.NO.	PART NO	DESCRIPTION	Q'TY
E05-1	G1420E0101000	CAMSHAFT ASSY.	1
E05-2	G1220E0101000	VALVE, EXHAUST	1
E05-3	G1211E0101000	GUIDE, SEAL	1
E05-4	G1213E0101000	SPRING, VALVE	2
E05-5	G1212E0101000	SEAT, VALVE SPRING	2
E05-6	G1209E0101000	LOCKER, VALVE	4
E05-7	G1481E0101000	TAPPET, VALVE	2
E05-8	G1470E0101000	LIFTER, VALVE	2
E05-9	G1409E0101000	PLATE SUBASSEMBLY, LIFTER STOPPER	1
E05-10	G910106021010	BOLT, VALVE ADJUSTING	2
E05-11	G1431E0101000	ROCKER, VALVE	2
E05-12	G1410E0101040	NUT, VALVE ADJUSTING	2
E05-13	G1411E0101000	NUT, VALVE LOCK	2

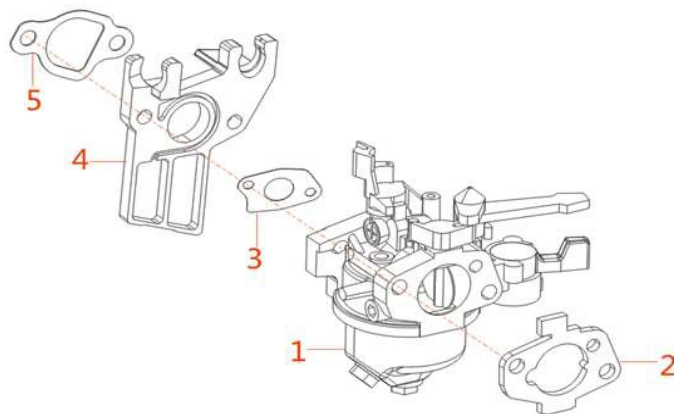
FIG.7 STARTER, RECOIL (E08)



REF.NO.	PART NO	DESCRIPTION	Q'TY
E08-1	G2810E0104H22	STARTER ASSY, RECOIL	1
E08-2	G900106010010	BOLT	9
E08-3	G1930E0101010	SHROUD, CYLINDER BODY	1
E08-4	G1526E0101000	PROTECTOR, OIL	1
E08-5	G900106020010	BOLT	1
E08-6	G1934E0101010	SHIELD, LOWER	1
E08-7	G1520E0101000	SWITCH SUBASSEMBLY, STOP ENGINE	1
E08-8	G9066E0101000	CLIP	1

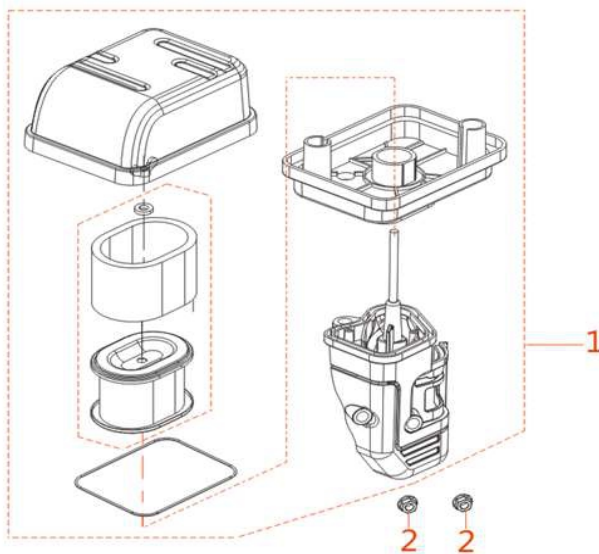
HK212E / HK212RE Engine

FIG.9 CARBURETOR ASSY. (E11)



REF.NO.	PART NO		DESCRIPTION	Q'TY
E11-1	G1610E0101030		CARBURETOR ASSY.	1
E11-2	G1701E0101000		GASKET, AIR CLEANER	1
E11-3	G1601E0101000		GASKET, CARBURETOR	1
E11-4	G1603E0101000		PLATE, CARBURETOR INSULATOR	1
E11-5	G1702E0101000		GASKET, INLET	1

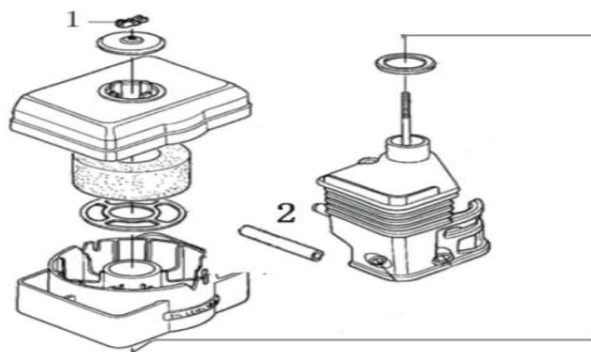
FIG.10 CLEANER, AIR (F02)



REF.NO.	PART NO		DESCRIPTION	Q'TY
E04-1	G1710E0105000		CLEANER, AIR	1
E04-2	G900406000011		NUT	2

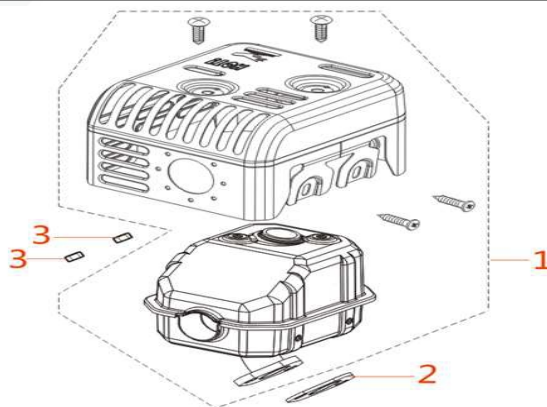
HK212E / HK212RE Engine

FIG.10 CLEANER, AIR (F02)



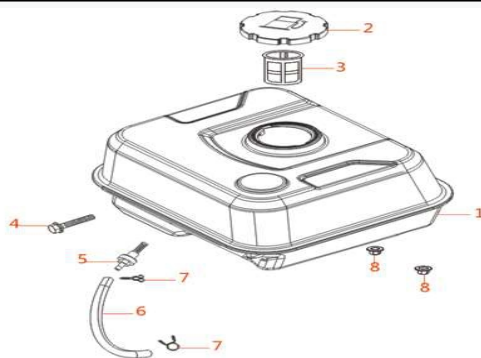
REF.NO.	PART NO	DESCRIPTION	Q'TY
E04-1	G1710E0108000	CLEANER, AIR	1
E04-2	G1703E0103000		1

FIG.11 MUFFLER ASSY. (F04)



REF.NO.	PART NO	DESCRIPTION	Q'TY
F04-1	G1810E0105000	MUFFLER ASSY	1
F04-2	G1801E0101000	GASKET, EXHAUST OUTLET	1
F04-3	G900508000010	NUT	2

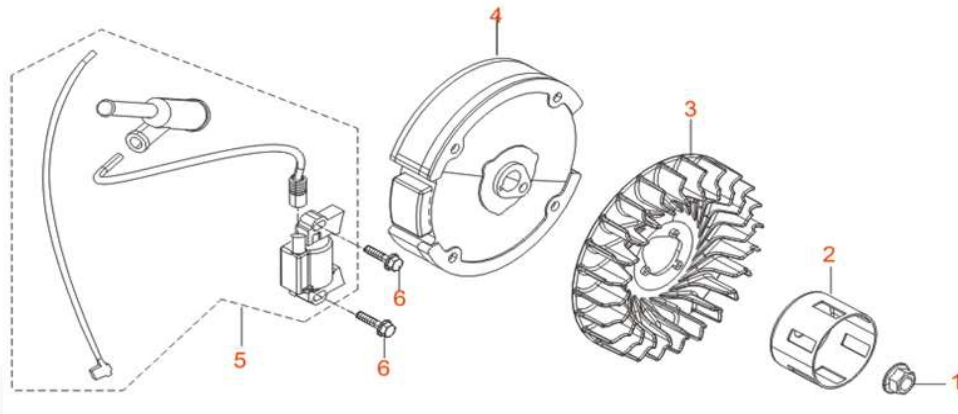
FIG.12 TANK ASSY, FUEL (F01)



REF.NO.	PART NO	DESCRIPTION	Q'TY
F01-1	G1679E0104R20	TANK, FUEL	1
F01-2	G1685E0101H20	FUEL TANK CAP	1
F01-3	G1696E0101000	STRAINER, FUEL	1
F01-4	G900106028010	BOLT	1
F01-5	G1693E0101000	OUTLET SUBASSEMBLY, FUEL TANK OIL	1
F01-6	G9068E0103000	TUBE, FUEL	1
F01-7	G9067E0101010	CLAMP	2
F01-8	G900406000011	NUT	2

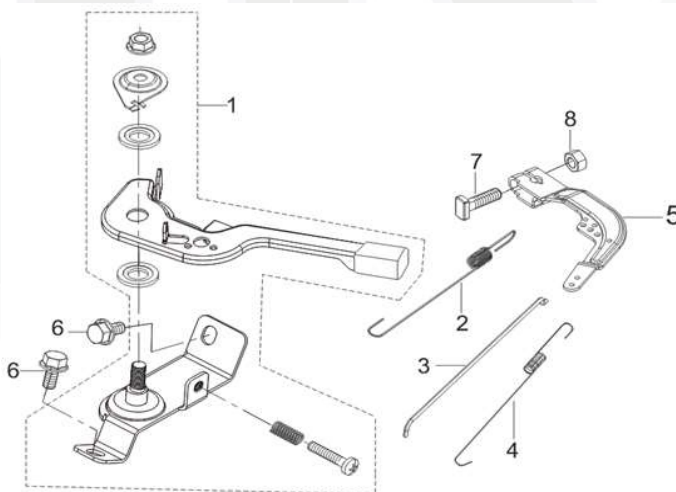
HK212E / HK212RE Engine

FIG.13 FLYWHEEL / IMPELLER / STARTER PULLEY / IGNITION COIL (E15)



REF.NO.	PART NO	DESCRIPTION	Q'TY
E15-1	G910214000010	NUT, FLYWHEEL	1
E15-2	G2802E0101000	PULLEY, STARTER	1
E15-3	G1935E0101000	IMPELLER	1
E15-4	G1351E0101000	FLYWHEEL SUBASSEMBLY	1
E15-5	G1506E0101000	COIL, IGNITION	1
E15-6	G900106025010	BOLT	2

FIG.14 CONTROL ASSY, THROTTLE



REF.NO.	PART NO	DESCRIPTION	Q'TY
E13-1	G1668E0101010	CONTROL ASSY, THROTTLE	1
E13-2	G1606E0106000	SPRING, GOVERNOR	1
E13-3	G1605E0102010	ROD, GOVERNOR	1
E13-4	G1604E0101000	SPRING, THROTTLE VALVE RETURNING	1
E13-5	G1608E0101010	SUPPORT SUBASSEMBLY, GOVERNOR	1
E13-6	G900106010010	BOLT	2
E13-7	G910106021010	BOLT, GOVERNOR SUPPORT	1
E13-8	G900406000011	NUT	1