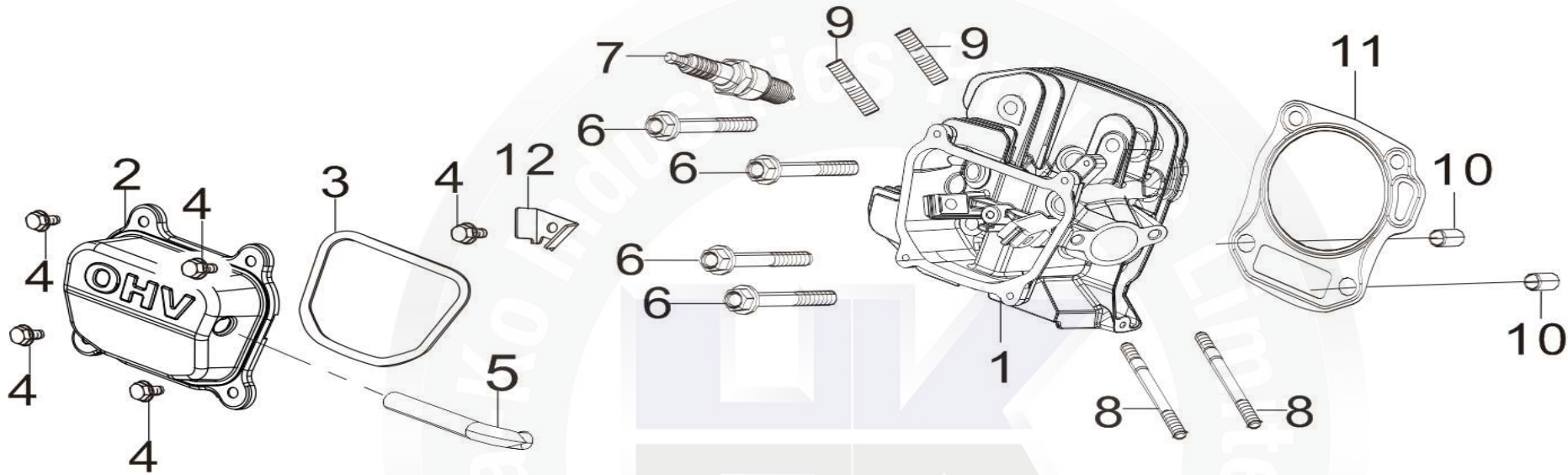


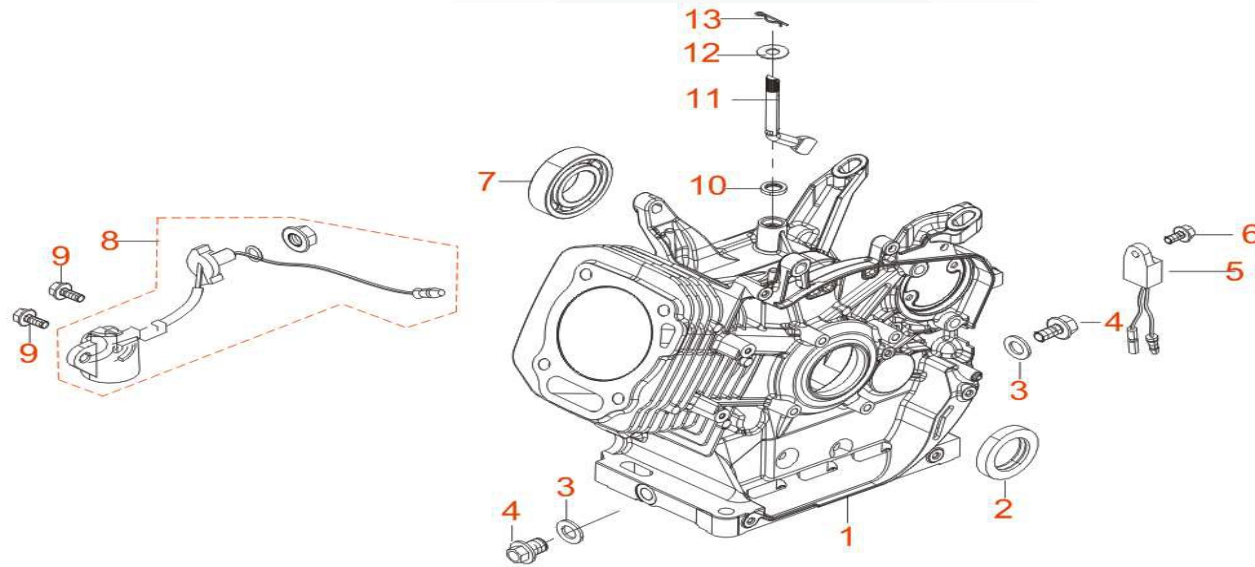
**FIG.1 HEAD SUBASSEMBLY, CYLINDER / PLUG, SPARK (E04)**



REF.NO.	PART NO	DESCRIPTION	Q'TY
E04-1	G1214E0402000	HEAD SUBASSEMBLY, CYLINDER	1
E04-2	G1241E0401010	COVER SUBASSEMBLY, CYLINDER HEAD	1
E04-3	G1204E0401000	GASKET, CYLINDER HEAD COVER	1
E04-4	G900106012010	BOLT	5
E04-5	G1703E0201000	TUBE, BREATHER	1
E04-6	G910110080010	BOLT, CYLINDER HEAD	4
E04-7	G1567E0101000	PLUG, SPARK	1
E04-8	G9103E0201010	STUD	2
E04-9	G900308054010	STUD	2
E04-10	G905108012000	PIN	2
E04-11	G1230E0201000	GASKET, CYLINDER HEAD	1
E04-12	G1434E0301000	Clip	1

# HK 460 Part List Engine

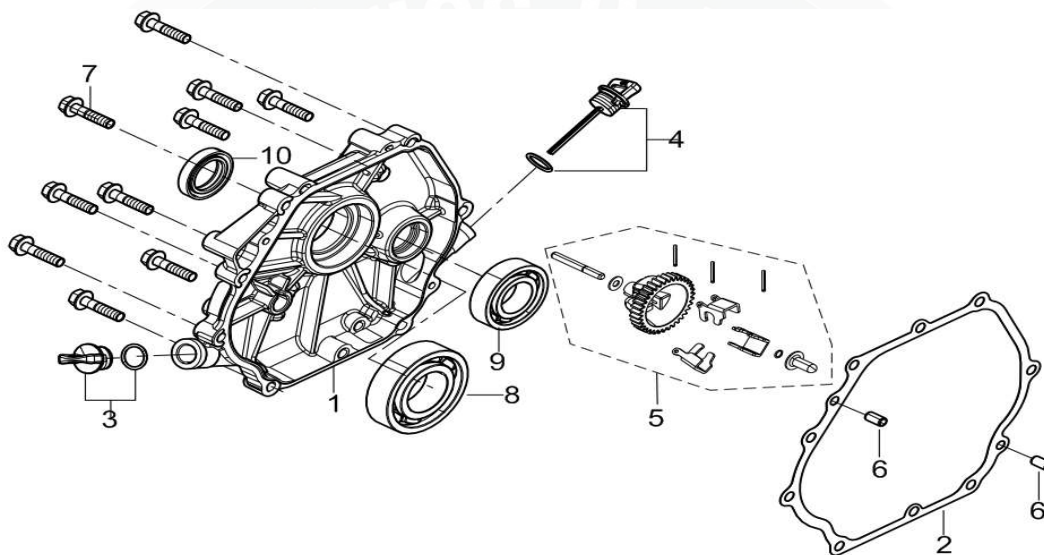
**FIG.2 CRANKCASE. (E01)**



REF.NO.	PART NO	DESCRIPTION	Q'TY
E01-1	G1131E0406000	CRANKCASE SUBASSEMBLY.	1
E01-2	G9065E0201000	SEAL, OIL	1
E01-3	G9041E0201010	WASHER	2
E01-4	G910112015010	BOLT, DRAIN PLUG	2
E01-5	G1526E0101000	OIL SENSER	1
E01-6	G900106012010	BOLT	1
E01-7	G905462026000	BEARING	1
E01-8	G1536E0201000	SENSOR, ENGINE OIL	1
E01-9	G900106014010	BOLT	2
E01-10	G9041E0202000	WASHER	1
E01-11	G1607E0201000	ARM, GOVERNOR	1
E01-12	G9065E0202000	SEAL, OIL	1
E01-13	G9052E0101000	PIN	1

## HK 460 Part List Engine

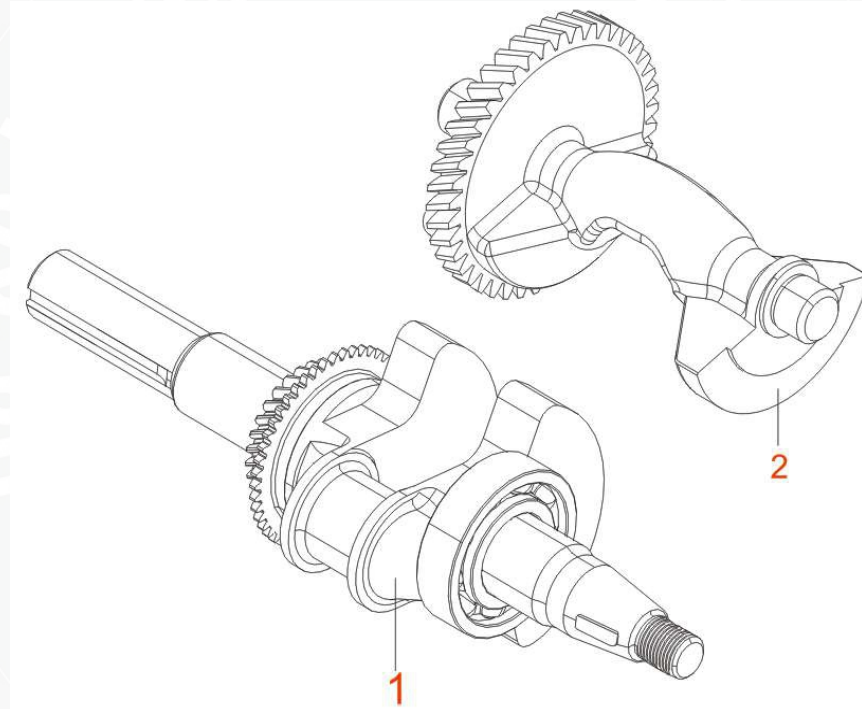
**FIG.3 COVER SUBASSEMBLY, CRANKCASE / GEAR ASSY, GOVERNOR (E16)**



REF.NO.	PART NO	DESCRIPTION	Q'TY
E17-1	G1141E0402000	COVER, CRANKCASE	1
E17-2	G1101E0401000	GASKET, CRANKCASE	1
E17-3	G1503E0201110	DIPSTICK SUBASSEMBLY, OIL	1
E17-4	G1501E0201110	PLUG SUBASSEMBLY, ENGINE OIL	1
E17-5	G1660E0201000	GEAR ASSY, GOVERNOR	1
E17-6	G905112020000	PIN	2
E17-7	G900108040010	BOLT	10
E17-8	G905462076000	BEARING	1
E17-9	G905462026000	BEARING	1
E17-10	G9065E0201000	SEAL, OIL	1

## HK 460 Part List Engine

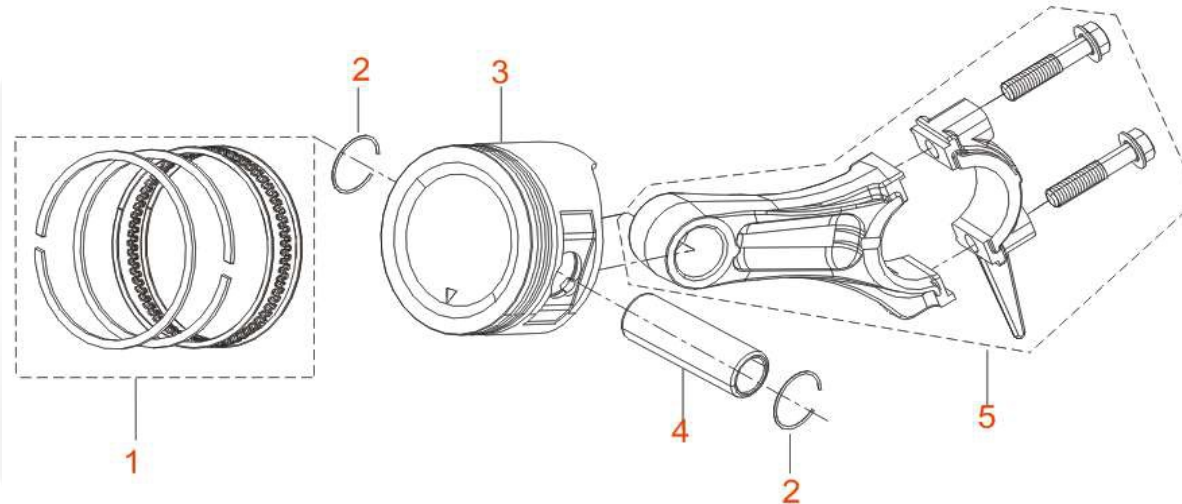
**FIG.4 ROD,CRANKSHAFT CONNETING (E03)**



REF.NO.	PART NO		DESCRIPTION	Q'TY
E03-1	G1330E0401000		CRANKSHAFT ASSY.	1
E03-2	G1340E0401000		BALANCE AXIS ASSY.	1

## HK 460 Part List Engine

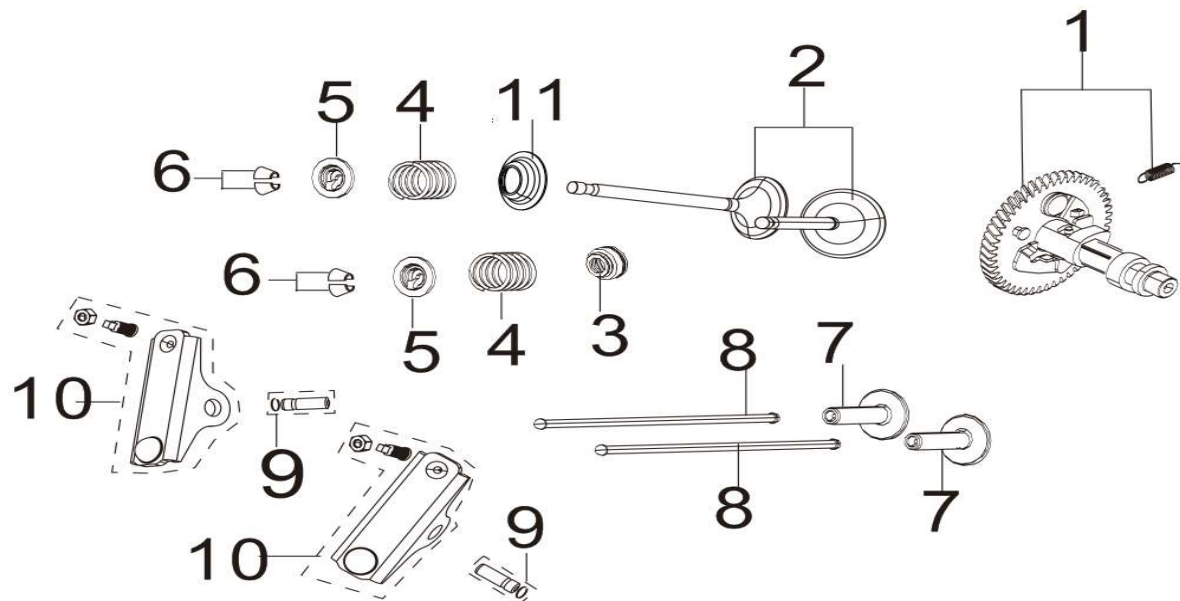
**FIG.5 RING SET,OIL / ROD,CRANKSHAFT CONNETING (E03)**



REF.NO.	PART NO	DESCRIPTION	Q'TY
E03-1	G1320E0401000	RING, THE FIRST	1
E03-2	G1313E0201000	CLIP, PISTON PIN	2
E03-3	G1311E0402000	PISTON	1
E03-4	G1312E0201000	PIN, PISTON	1
E03-5	G1301E0401000	ROD, CONNECTING	1

## HK 460 Part List Engine

**FIG.6 TRAIN,VALVE / CAMSHAFT SUBASSEMBLY (E05)**

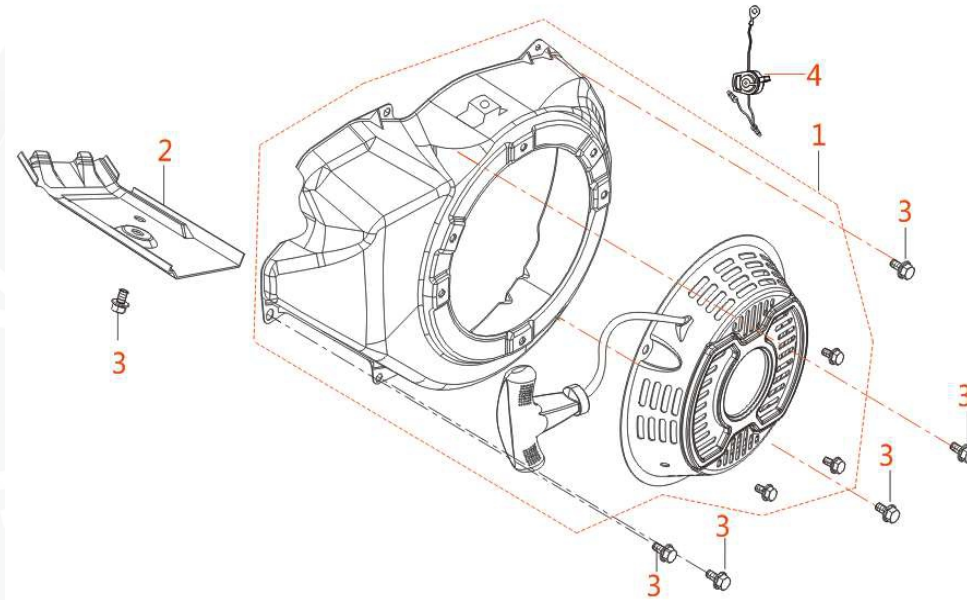


REF.NO.	PART NO	DESCRIPTION	Q'TY
E05-1	G1420E0401000	CAMSHAFT ASSY.	1
E05-2	G1220E0402000	VALVE, EXHAUST	1
E05-3	G1211E0201000	GUIDE, SEAL	1
E05-4	G1213E0201000	SPRING, VALVE	2
E05-5	G1212E0201000	SEAT, VALVE SPRING	2
E05-6	G1209E0201000	LOCKER, VALVE	4
E05-7	G1481E0201000	TAPPET, VALVE	2
E05-8	G1470E0201000	LIFTER, VALVE	2
E05-9	G1432E0401000		2
E05-10	G1431E0201000	ROCKER, VALVE	2
E05-11	G1208E0201000	VALVE SEAT	1



# HK 460 Part List Engine

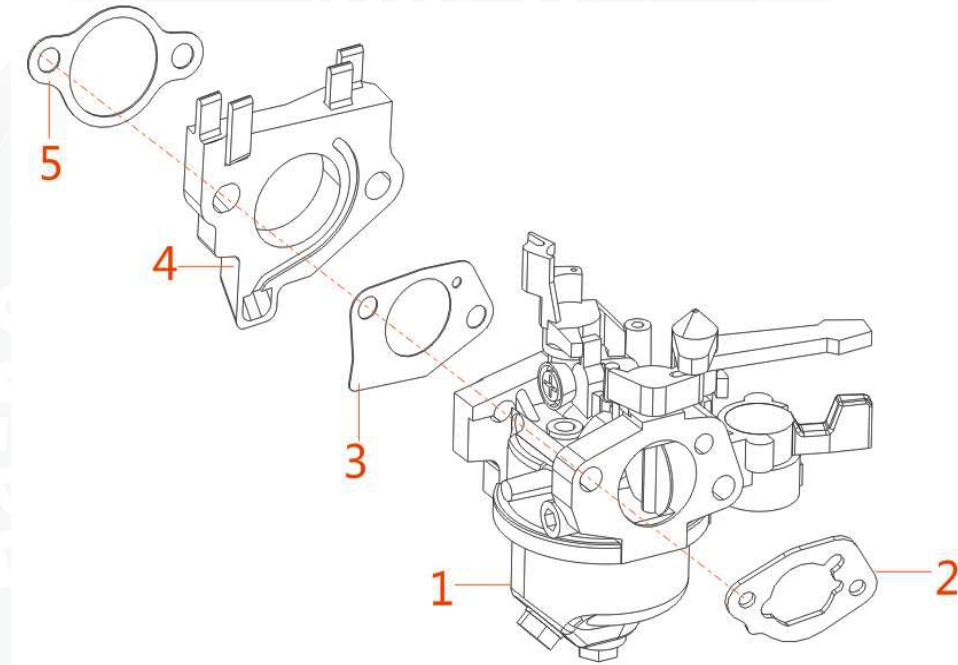
**FIG.7 STARTER,RECOIL (E08)**



REF.NO.	PART NO		DESCRIPTION	Q'TY
E08-1	G2810E0402H22			1
E08-2	G1930E0201010			1
E08-3	G900106012010			6
E08-4	G1520E0101000			1

## HK 460 Part List Engine

**FIG.9 CARBURETOR ASSY. (E11)**

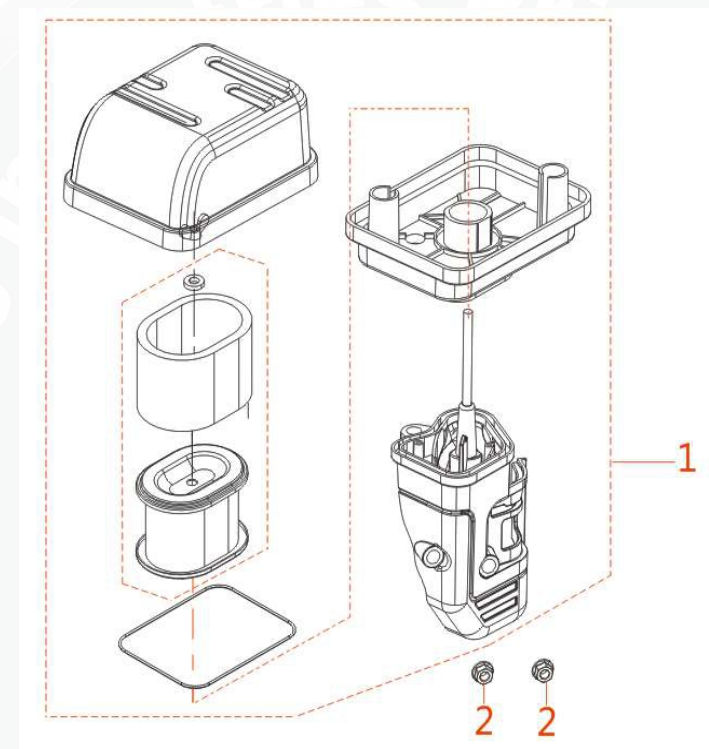


REF.NO.	PART NO	DESCRIPTION	Q'TY
E11-1	G1610E0401030	CARBURETOR ASSY.	1
E11-2	G1701E0201000	GASKET, AIR CLEANER	1
E11-3	G1601E0201000	GASKET, CARBURETOR	1
E11-4	G1603E0401000	PLATE, CARBURETOR INSULATOR	1
E11-5	G1702E0401000	GASKET, INLET	1



# HK 460 Part List Engine

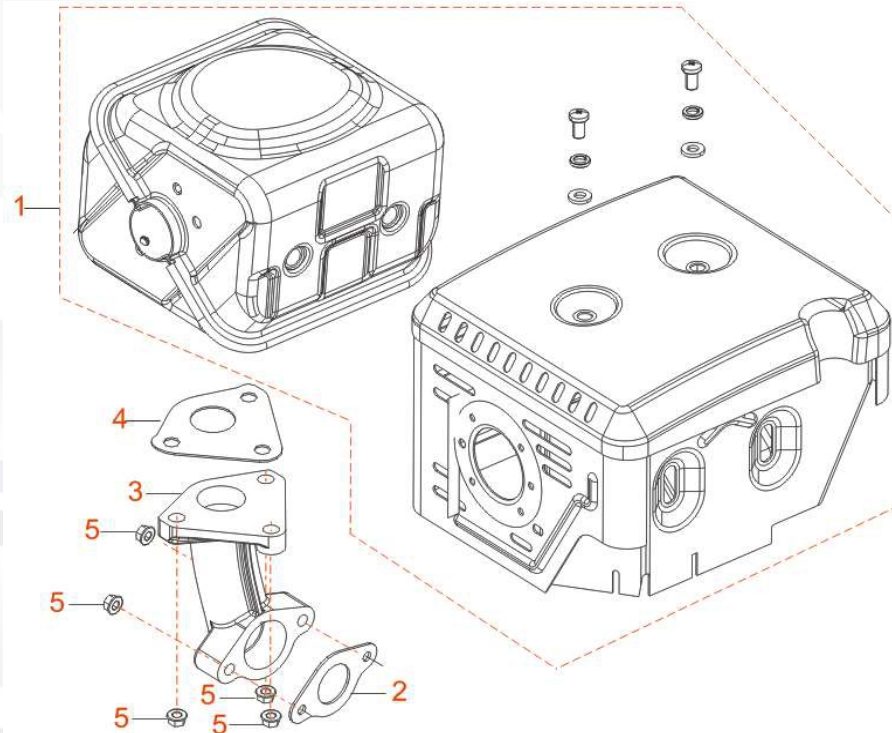
**FIG.10 CLEANER, AIR (F02)**



REF.NO.	PART NO		DESCRIPTION	Q'TY
F02-1	G1710E0201000		CLEANER, AIR	1
F02-2	G900408000010		NUT	2

# HK 460 Part List Engine

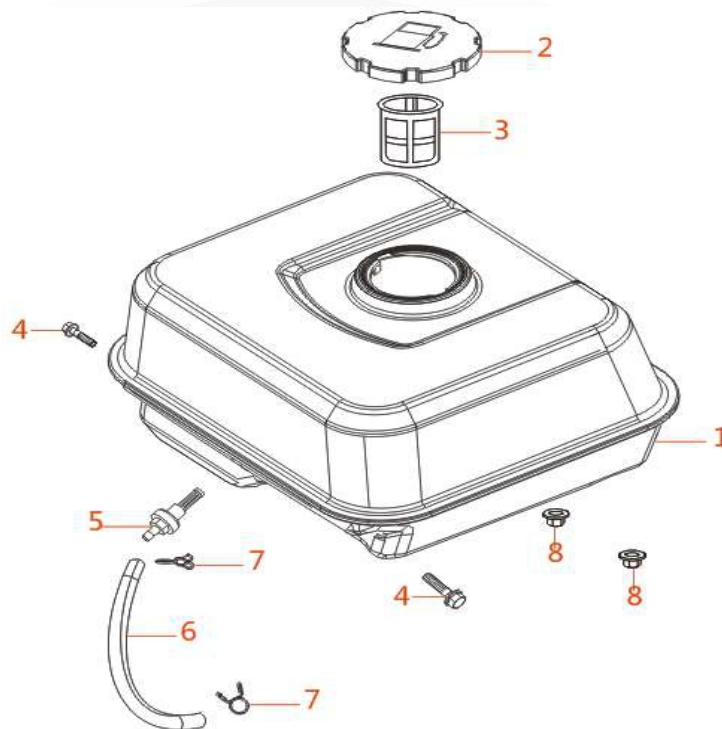
**FIG.11 MUFFLER ASSY. (F04)**



REF.NO.	PART NO	DESCRIPTION	Q'TY
F04-1	G1810E0205000	MUFFLER ASSY	1
F04-2	G1801E0201000	GASKET, EXHAUST OUTLET	1
F04-3	G1830E0201000	EXHAUST PIPE	1
F04-4	G1802E0201000	GASKET,MUFFLER ASSY	1
F04-5	G900408000010	NUT	5

# HK 460 Part List Engine

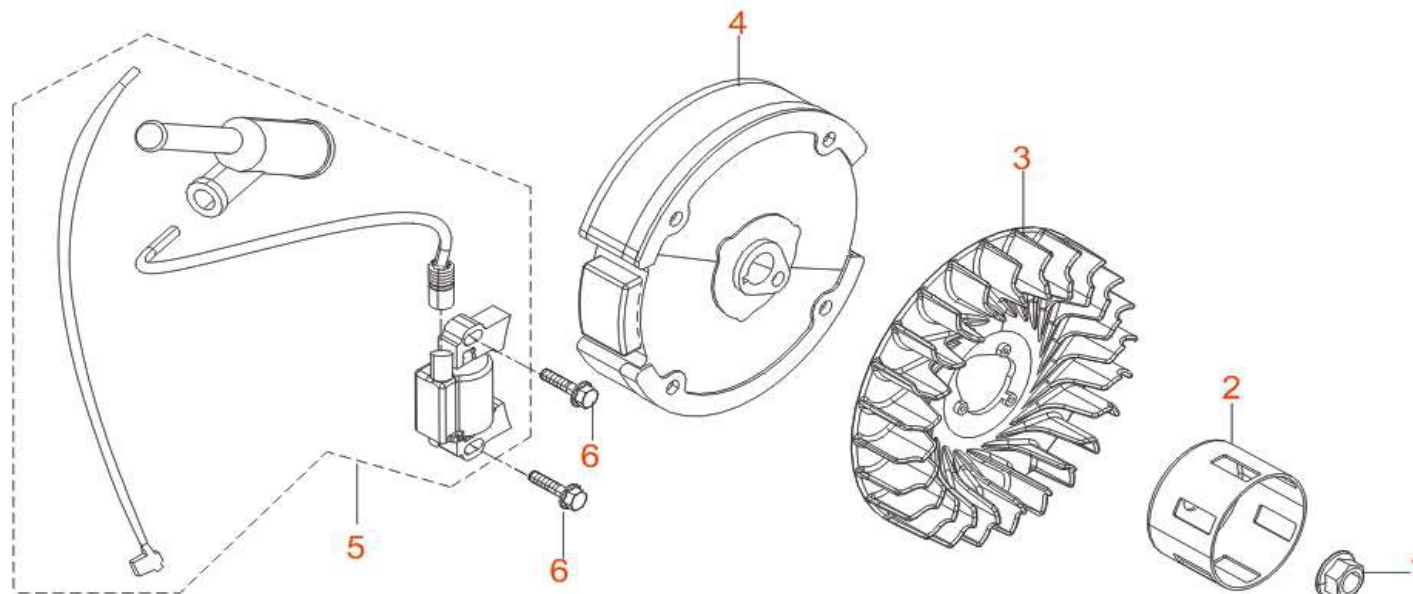
FIG.12 TANK ASSY, FUEL (F01)



REF.NO.	PART NO	DESCRIPTION	Q'TY
F01-1	G1679E0203H20	TANK, FUEL	1
F01-2	G1685E0101H20	FUEL TANK CAP	1
F01-3	G1696E0101000	STRAINER, FUEL	1
F01-4	G900108025010	BOLT	2
F01-5	G1693E0101000	OUTLET SUBASSEMBLY, FUEL TANK OIL	1
F01-6	G9068E0103000	TUBE, FUEL	1
F01-7	G9067E0101010	CLAMP	2
F01-8	G900408000011	NUT	2

# HK 460 Part List Engine

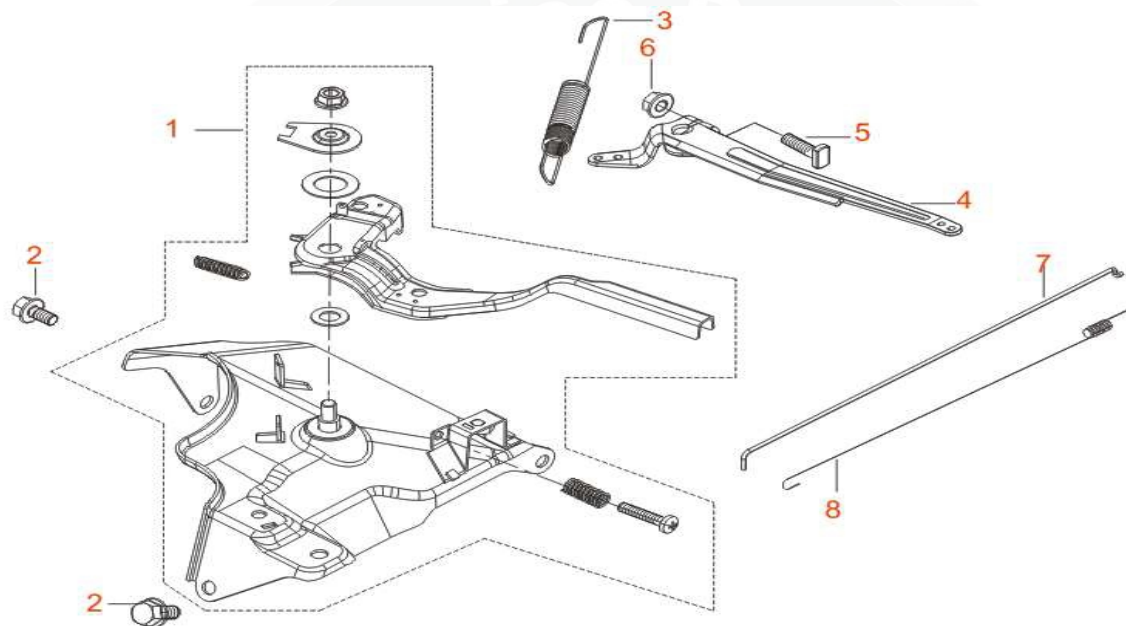
**FIG.13 FLYWHEEL / IMPELLER / STARTER PULLEY / IGNITION COIL (E15)**



REF.NO.	PART NO	DESCRIPTION	Q'TY
E15-1	G910216000010	NUT, FLYWHEEL	1
E15-2	G2802E0201000	PULLEY,STARTER	1
E15-3	G1935E0202000	IMPELLER	1
E15-4	G1351E0201000	FLYWHEEL SUBASSEMBLY	1
E15-5	G1506E0201000	COIL, IGNITION	1
E15-6	G900106028010	BOLT	2

# HK 460 Part List Engine

**FIG.14 CONTROL ASSY, THROTTLE (E13)**



REF.NO.	PART NO	DESCRIPTION	Q'TY
E13-1	G1668E0402010	CONTROL ASSY, THROTTLE	1
E13-2	G900106012010	BOLT	2
E13-3	G1606E0205000	SPRING, GOVERNOR	1
E13-4	G1608E0201010	SUPPORT SUBASSEMBLY, GOVERNOR	1
E13-5	G910106021010	BOLT, GOVERNOR SUPPORT	1
E13-6	G900406000011	NUT	1
E13-7	G1605E0201010	ROD, GOVERNEOR	1
E13-8	G1604E0201030	SPRING, THROTTLE VALVE RETURNING	1