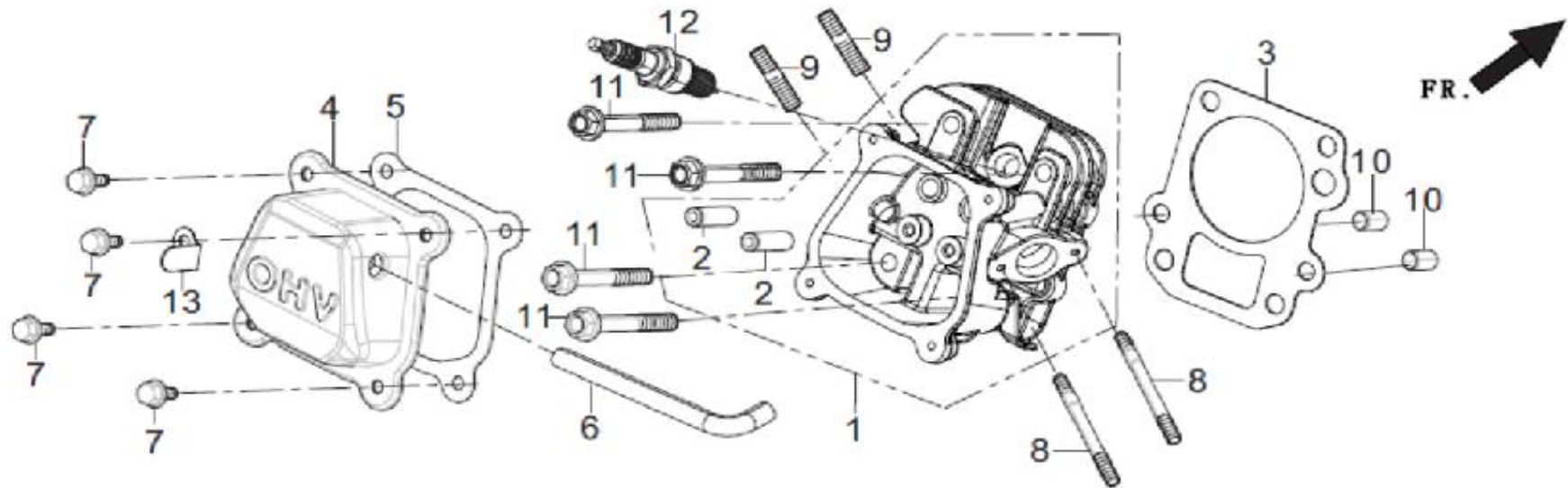


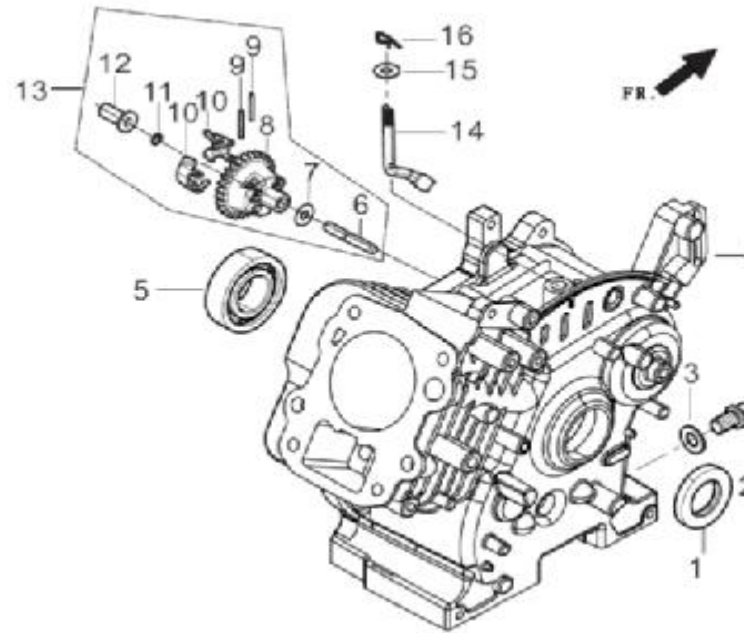
HK 78.5 Engine Part List

FIG.1 HEAD SUBASSEMBLY, CYLINDER / PLUG, SPARK



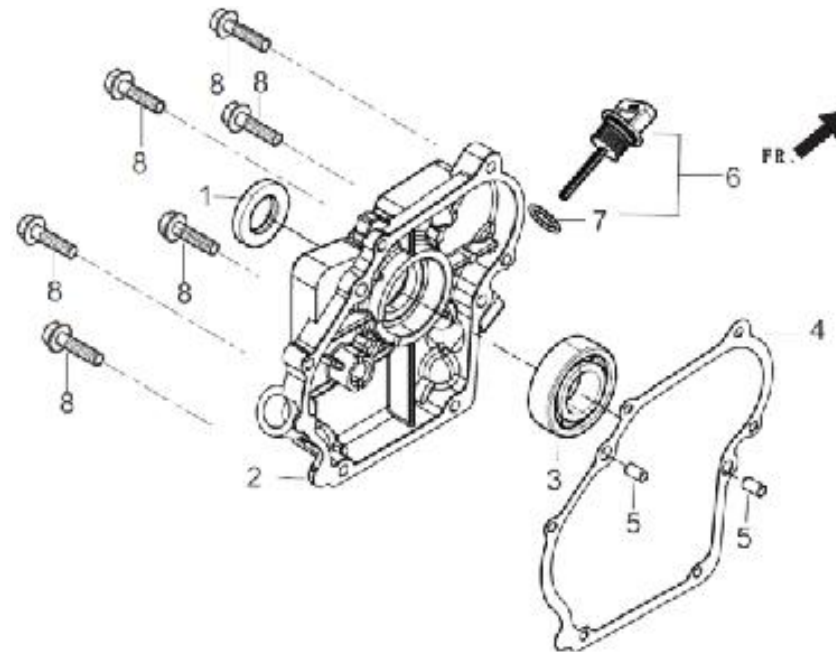
REF.NO.	PART NO	DESCRIPTION	Q'TY		
E04-1	G1214E0501000	HEAD SUBASSEMBLY, CYLINDER	1		
E04-3	G1230E0501000	GASKET, CYLINDER HEAD	1		
E04-4	G1241E0103010	COVER SUBASSEMBLY,	1		
E04-5	G1204E0101000	GASKET, CYLINDER HEAD	1		
E04-6	G1703E0103000	TUBE, BREATHER	1		
E04-7	G900106012010	BOLT	4		
E04-8	G910306092010	STUD	2		
E04-9	G910308034010	STUD	2		
E04-10	G905108012000	PIN	2		
E04-11	G910108055010	BOLT, CYLINDER HEAD	4		
E04-12	G1567E0601000	PLUG, SPARK	1		
E04-13	G9070E0201000	BLOCK,HIG TENSION LINE	1		

FIG.2 CRANKCASE. / GEAR ASSY, GOVERNOR.



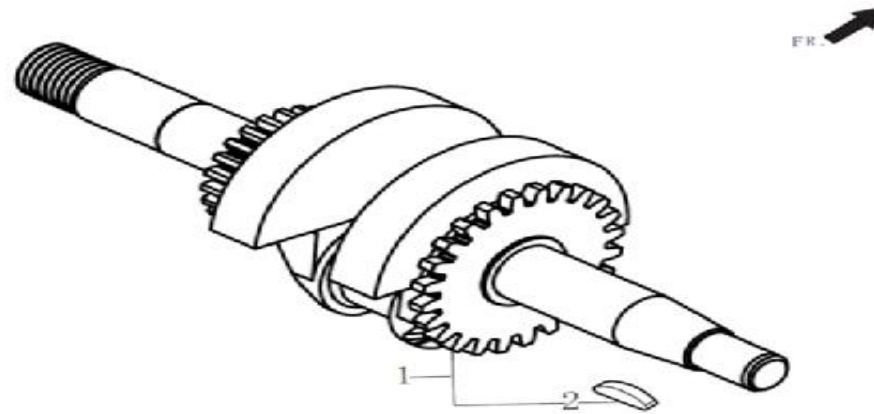
REF.NO.	PART NO	DESCRIPTION	Q'TY		
E17-1	G9065E0602000	SEAL, OIL	1		
E17-2	G910110015010	BOLT, DRAIN PLUG	1		
E17-3	G9041E0101000	WASHER , FLAT	1		
E17-4	G1131E0502000	CRANKCASE SUBASSEMBLY.	1		
E17-5	G905462036000	BEARING	1		
E17-13	G1660E0501000	GEAR ASSY, GOVERNOR	1		
E17-14	G1607E0602000	ARM, GOVERNOR	1		
E17-15	G9041E0102000	CIRCLIP	1		
E17-16	G9052E0101000	PIN	1		

FIG.3 COVER SUBASSEMBLY, CRANKCASE



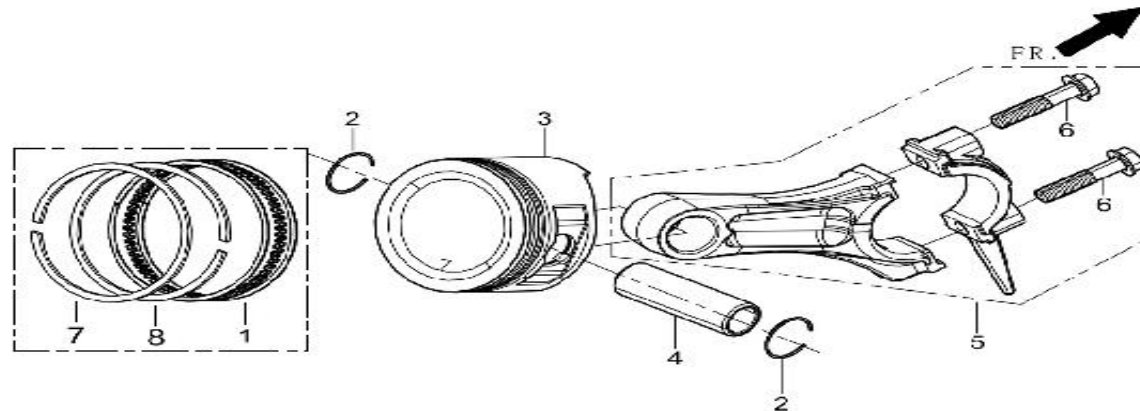
REF.NO.	PART NO	DESCRIPTION	Q'TY		
E01-1	G9065E0602000	SEAL, OIL	1		
E01-2	G1141E0601000	COVER, CRANKCASE	1		
E01-3	G905463036000	BEARING	1		
E01-4	G1101E0601000	GASKET, CRANKCASE	1		
E01-5	G905108012000	PIN	2		
E01-6	G1501E0601I10	DIPSTICK SUBASSEMBLY, OIL	1		
E01-8	G900106025010	BOLT	6		

FIG.4 ROD,CRANKSHAFT CONNETING



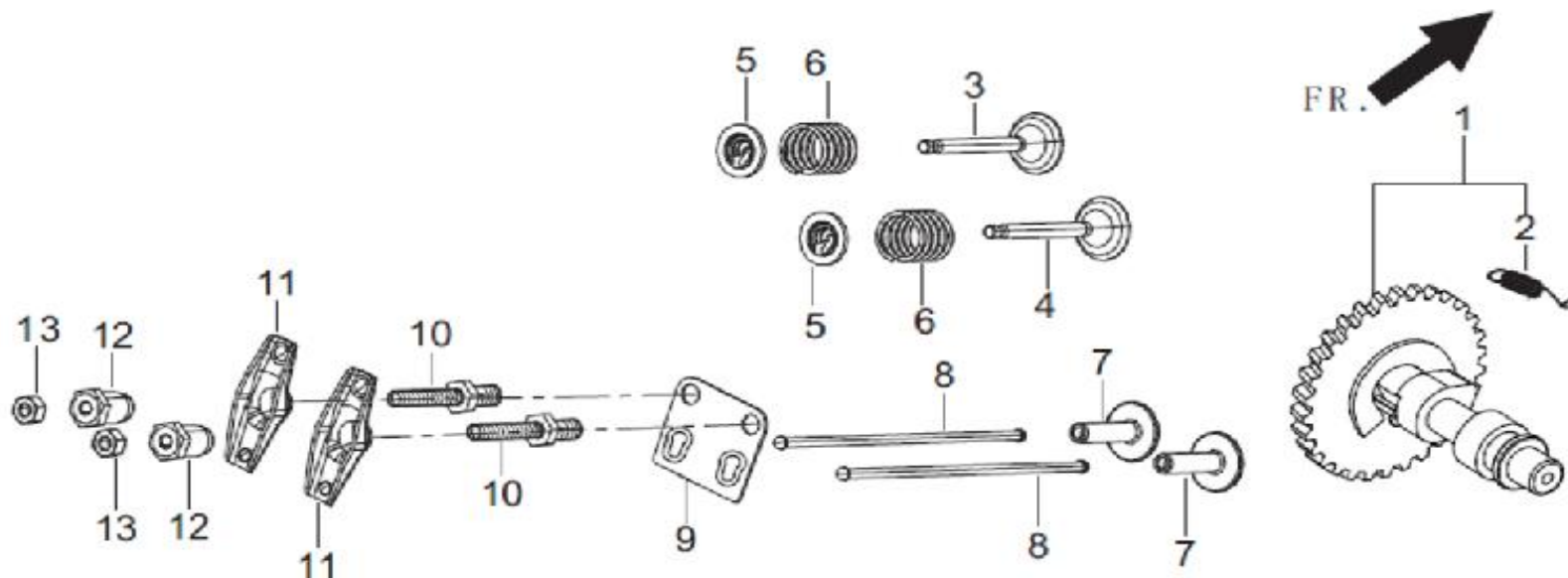
REF.NO.	PART NO	DESCRIPTION	Q'TY
E03-1	G1330E0503000	CRANKSHAFT ASSY.	1

FIG.5 RING SET,OIL / ROD,CRANKSHAFT CONNETING



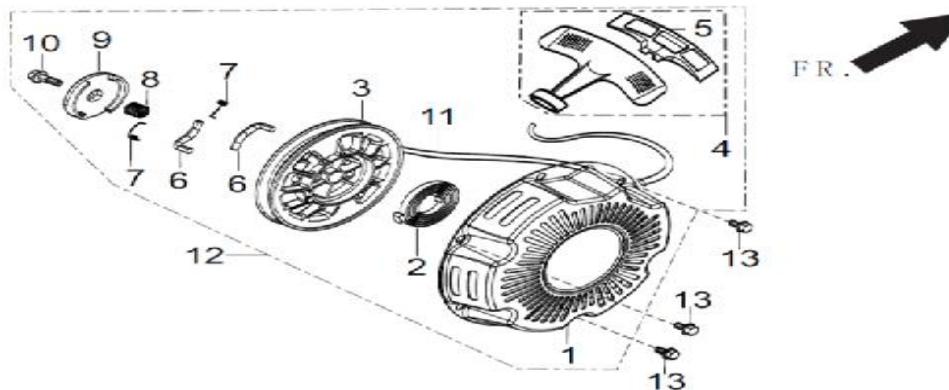
REF.NO.	PART NO	DESCRIPTION	Q'TY
E04-1	G1320E0501000	RING SET, OIL	1
E04-2	G1313E0501000	CLIP, PISTON PIN	2
E04-3	G1311E0501000	PISTON	1
E04-4	G1312E0501000	PIN, PISTON	1
E04-5	G1301E0501000	ROD, CONNECTING	1
E04-7	G1320E0501000	RING, THE FIRST	1
E04-8	G1320E0501000	RING, THE SECOND	1

FIG.6 TRAIN, VALVE / CAMSHAFT SUBASSEMBLY



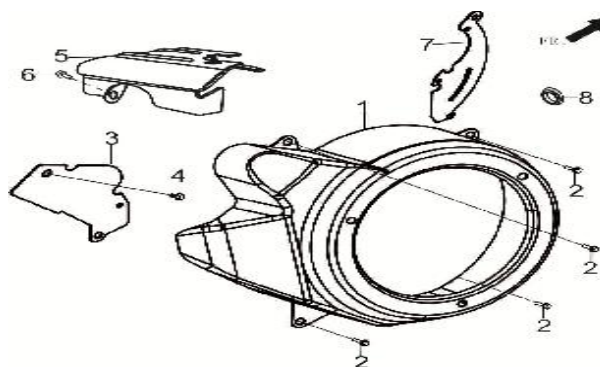
REF.NO.	PART NO	DESCRIPTION	Q'TY
E04-1	G1420E0601000	CAMSHAFT ASSY.	1
E04-3	G1420E0601000	VALVE, EXHAUST	1
E04-4	G1420E0601000	VALVE, INTAKE	1
E04-5	G1212E1201000	SEAT, VALVE SPRING	2
E04-6	G1213E0601000	SPRING, VALVE	2
E04-7	G1481E0601000	TAPPET, VALVE	2
E04-8	G1470E0601000	LIFTER SUBASSEMBLY, VALVE	2
E04-9	G1409E0601000	PLATE SUBASSEMBLY, LIFTER	1
E04-10	G9103E0601000	BOLT, VALVE ADJUSTING	2
E04-11	G1431E0601000	ROCKER, VALVE	2
E04-12	G1410E0102000	NUT, VALVE ADJUSTING	2
E04-13	G1411E0102000	NUT, VALVE LOCK	2
	G1211E0101000		1

FIG.7 STARTER,RECOIL



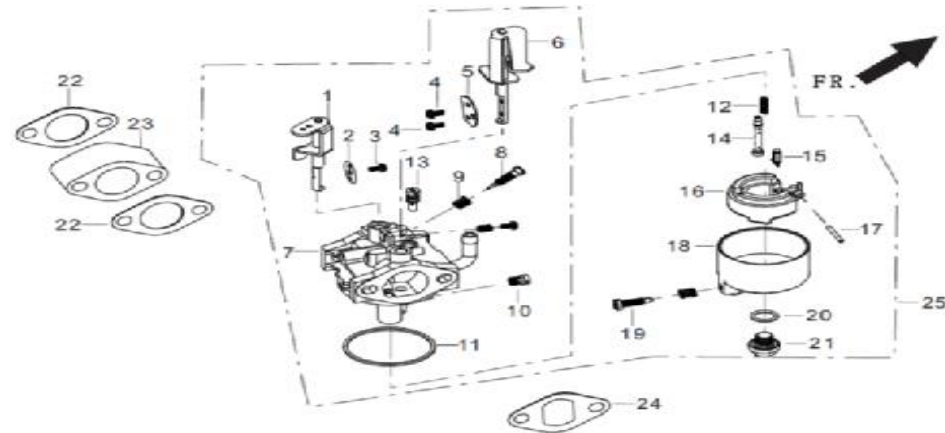
REF.NO.	PART NO	DESCRIPTION	Q'TY
E08-12	G2810E0601H10	STARTER ASSY, RECOIL	1
E08-13	G900106008010	BOLT	3

FIG.8 SHROUD / SHIELD,LOWER



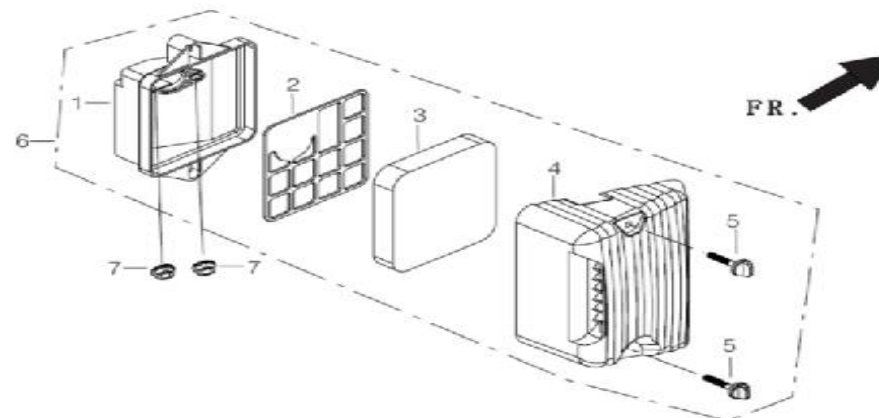
REF.NO.	PART NO	DESCRIPTION	Q'TY
E14-1		SHROUD	1
E14-2	G900106012010	BOLT	4
E14-3	G3711E0601000	DEFLECTOR, CRANKCASE AIR	1
E14-4	G900106008010	BOLT	1
E14-5	G1930E0601010	SHROUD, CYLINDER BODY	1
E14-6	G900106008010	BOLT	1
E14-7	G3712E0601000	SHIELD , SHROUD	1
E14-8			1

FIG.9 CARBURETOR ASSY.



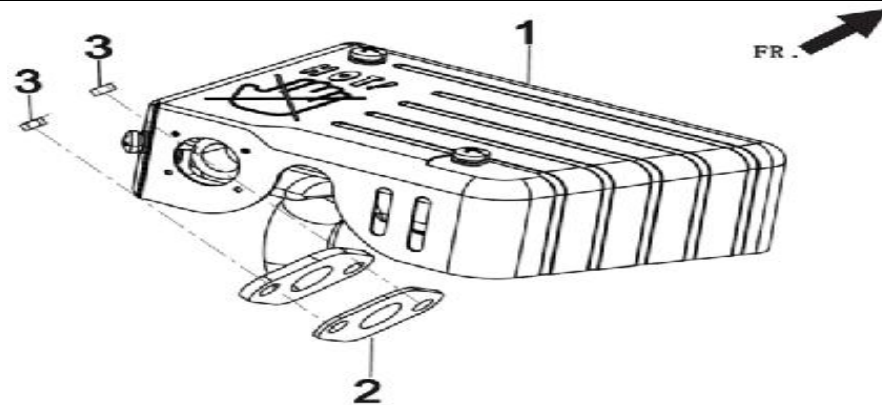
REF.NO.	PART NO	DESCRIPTION	Q'TY		
E11-22	G1702E0601000	GASKET, CARBURETOR	2		
E11-23	G1603E0601000	PLATE, CARBURETOR	1		
E11-24	G1701E0601000	GASKET, AIR CLEANER	1		
E11-25	G1610E0502030	CARBURETOR ASSY.	1		

FIG.10 CLEANER, AIR



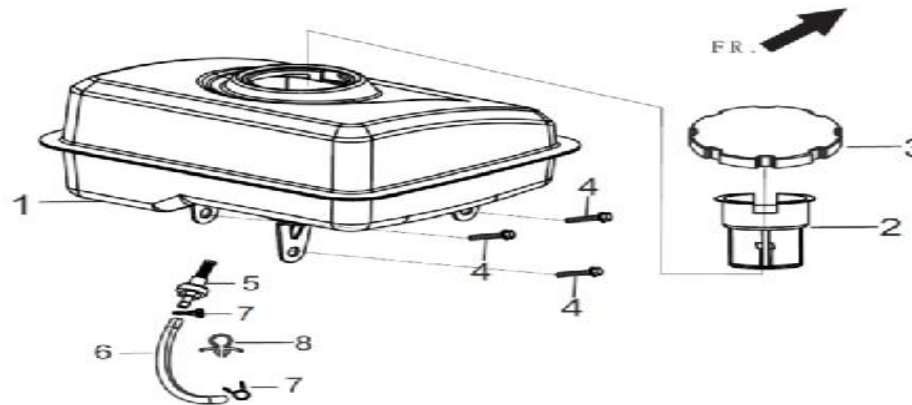
REF.NO.	PART NO	DESCRIPTION	Q'TY		
E04-6	G1710E0601000	CLEANER, AIR	1		
E04-7		NUT	2		

FIG.11 MUFFLER ASSY.



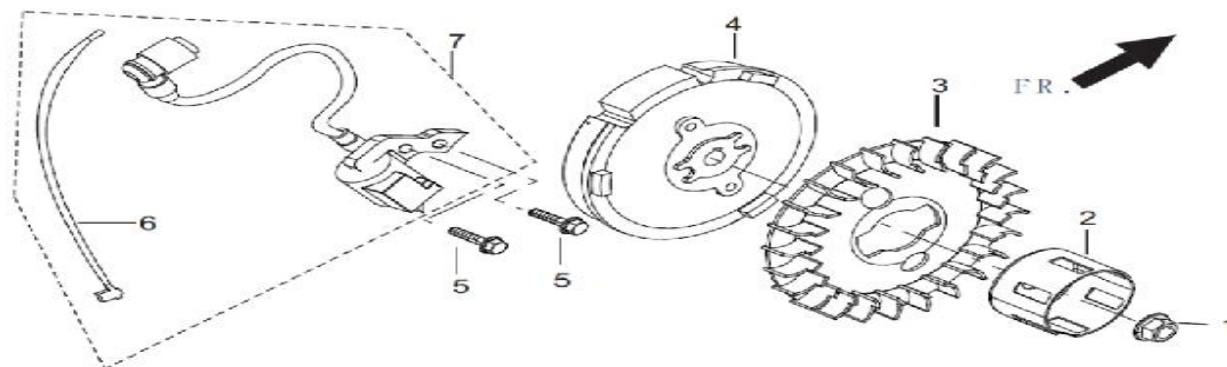
REF.NO.	PART NO	DESCRIPTION	Q'TY
F04-1	G1810E0601000	MUFFLER ASSY.	1
F04-2	G1801E0601000	GASKET, EXHAUST OUTLET	1
F04-3	90303-0800-31	NUT	2

FIG.12 TANK ASSY, FUEL



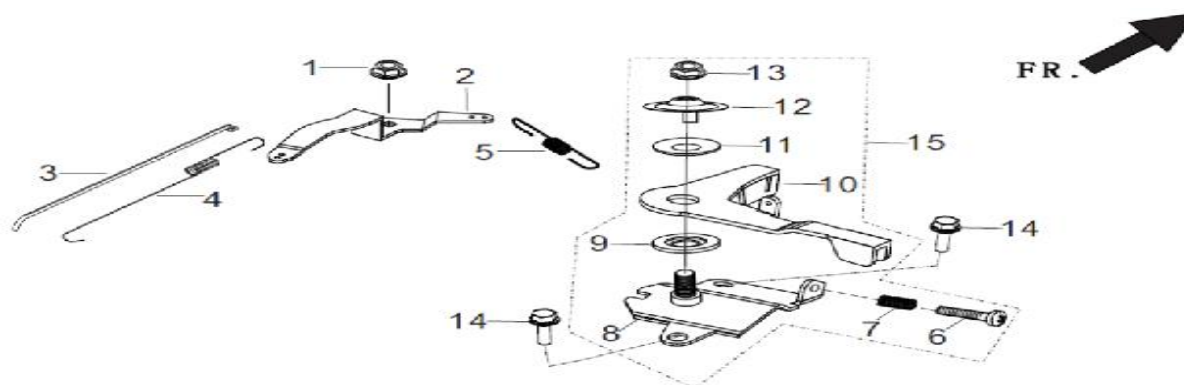
REF.NO.	PART NO	DESCRIPTION	Q'TY
F01-1	G1679E0602H20	TANK, FUEL	1
F01-2	G1696E0602000	STRAINER , FUEL	1
F01-3	G1685E0107000	COVER, FUEL TANK	1
F01-4	G900106014010	BOLT	3
F01-5	G1693E0101000	OUTLET SUBASSEMBLY, FUEL	1
F01-6	G9068E0103000	TUBE, FUEL	1
F01-7	G9067E0101010	R160_Φ7.5	2
F01-8	G9066E0201000	CLIP	1

FIG.13 FLYWHEEL / IMPELLER / STARTER PULLEY / IGNITION COIL



REF.NO.	PART NO	DESCRIPTION	Q'TY
E15-1	G910212000010	NUT, FLYWHEEL	1
E15-2	G2802E0601000	PULLEY, STARTER	1
E15-3	G1935E0601000	IMPELLER	1
E15-4	G1351E0601000	FLYWHEEL SUBASSEMBLY	1
E15-5	G900106020010	BOLT	2
E15-7	G1506E0601000	COIL, IGNITION	1

FIG.14 CONTROL ASSY, THROTTLE



REF.NO.	PART NO	DESCRIPTION	Q'TY
E13-1		NUT	1
E13-2	G1608E0602010	SUPPORT SUBASSEMBLY,	1
E13-3	G1605E0601000	ROD, GOVERNEOR	1
E13-4	G1604E0601000	SPRING, THROTTLE VALVE	1
E13-5	G1606E0603000	SPRING, GOVERNOR	1
E13-14	G900106008010	BOLT	2
E13-15	G1668E0601010	CONTROL ASSY, THROTTLE	1