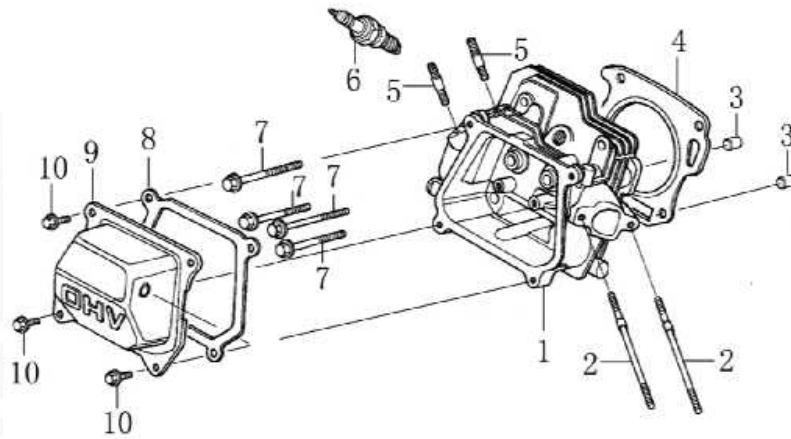
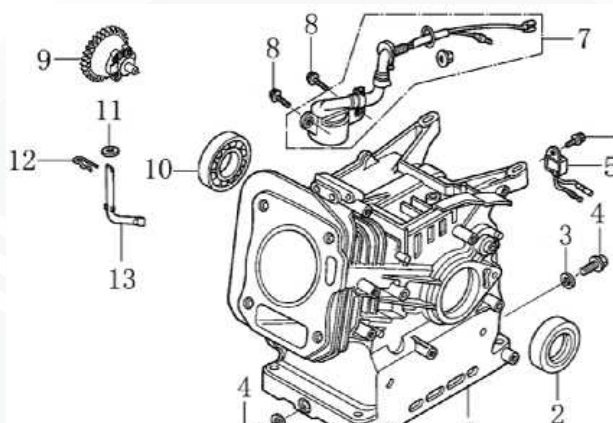


# HK 163 ENGINE



No.	Part No.	Description	G160F(D)
1	120080275-T040	HEAD COMP.,CYLINDER	1
	120080276-T050	HEAD COMP.,CYLINDER	-
2	380180093-T040	BOLT,STUD,IN.	2
3	380600117-T040	PIN , DOWEL	2
4	120150144-T040	GASKET,CYLINDER	1
	120150070-T050	GASKET,CYLINDER	-
5	380180098-T040	BOLT,STUD,EX.	2
6	270960025-0001	PLUG,SPARK	1
7	380140336-0001	BOLT ,FLANGE ,8*60	4
8	120250013-T040	PACKING,HEAD COVER	1
9	120220008-T040	COVER COMP.,HEAD	1
10	380140215-0003	BOLT,FLANGE,6*14	4

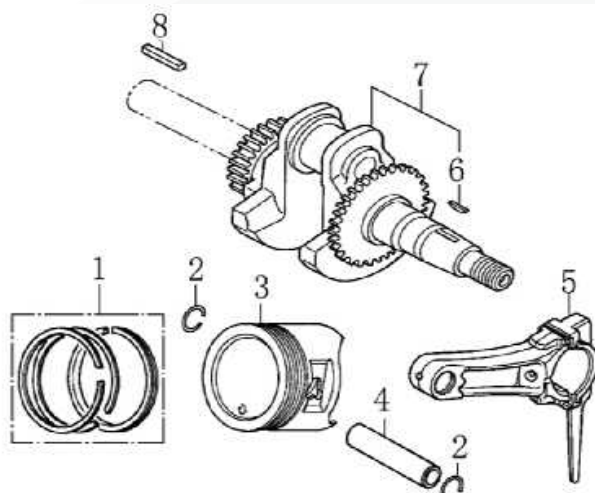
# HK 163 ENGINE



No.	Part No.				G160F(D)
1	110810004-T040		CRANK CASE		1
	110810006-T050		CRANK CASE		-
2	380650347-T320		OIL SEAL 25x41.25x6		1
3	380450514-T040		WASHER,DRAIN PLUG		2
4	110260025-T040		BOLT,DRAIN PLUG		2
5	281890001-T040		ALART UNIT,OIL		1
6	380140011-0004		BOLT,FLANGE, 6x10		1
7	281850150-T040		OIL LEVEL SWITCH		1
8	380140215-0003		BOLT,FLANGE , 6x14		2
9	171750002-T040		GOVERNOR GEAR ASSY.		1
10	380630137-0002		BEARING , RADIAL BALL		1
11	380450531-T040		WASHER ,PLAIN		1
12	381350004-T040		PIN , LOCK		1
13	171630001-T040		SHAFT GOVERNOR ARM		1

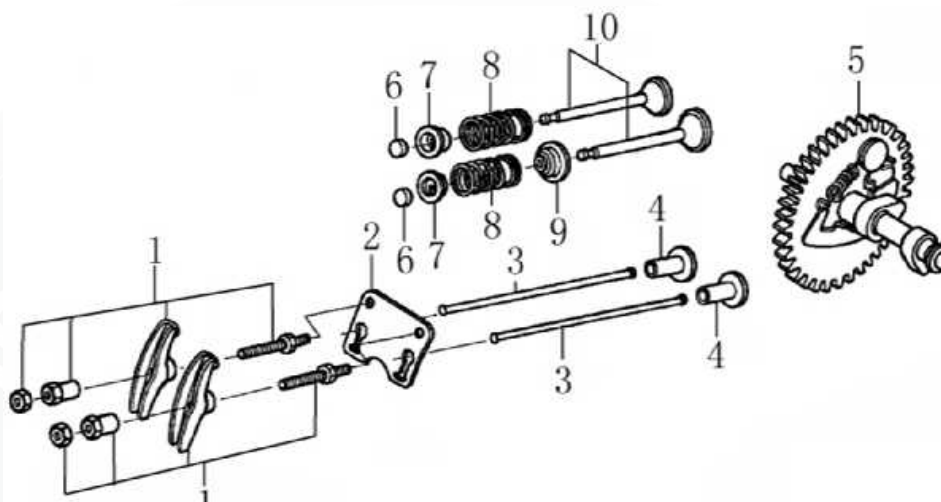


# HK 163 ENGINE



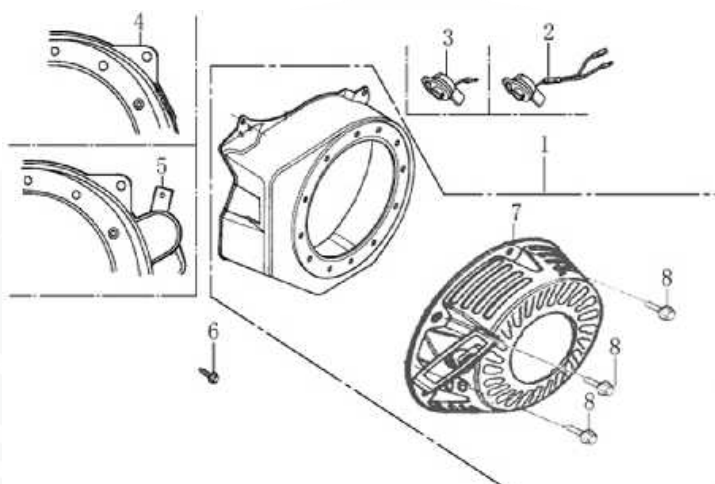
No.	Part No.	Description	G160F(D)
1	130070079-T040	RING SET	1
2	380560056-T040	CLIP ,PISTON PIN	2
3	130030081-T040	PISTON	1
	130030083-T050	PISTON	-
4	130060031-T040	PIN ,PISTON	1
5	130150039-T040	ROD ASSY .,CONNECTING	1
6	380620050-0001	KEY	1
7	130290035-T040	CRANKSHAFT COMP(R)	1
	130290049-T050	CRANKSHAFT COMP(R)	-
8	380620032-0001	KEY 33x5x5	1

# HK 163 ENGINE



No.	Part No.	Description	G160F(D)
1	140450022-T040	ARM COMP.	2
2	140710001-T040	PLATE,PUSH ROD GUIDE	1
3	140670004-T040	ROD,PUSH	2
4	140690002-T040	LIFTER,VALVE	2
	140690003-T050	LIFTER,VALVE	-
5	140020113-T040	CAMSHAFT ASSY.	1
	140020114-T050	CAMSHAFT ASSY.	-
6	140320001-T040	RATATOR , VALVE	2
7	140380017-T040	RETAINER,VALVE SPRING	2
8	140340022-T040	SPRING,VALVE	2
9	140400011-T040	SEAL,GUIDE	1
10	500550024-T040	VALVE COMP.	1

# HK 163 ENGINE



**STARTER SIIRASSEMBLY**

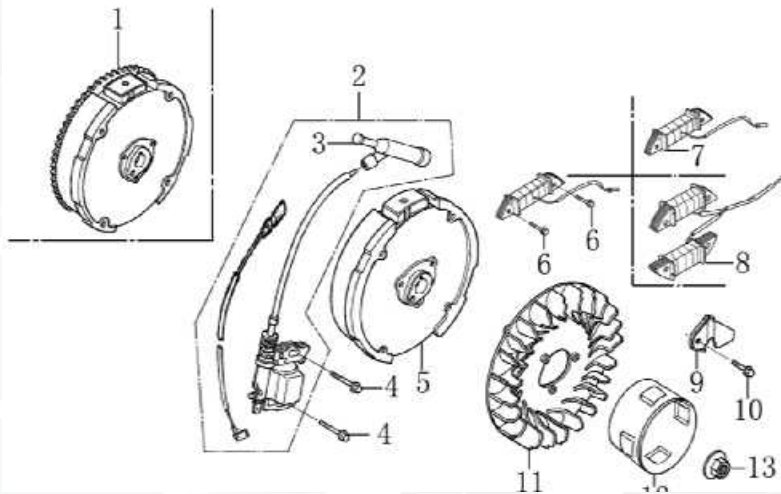
No.	Part No.	Description	G160F(D)
1	193490011-T040		
	193490023-T041	RECOIL STARTER COMP.	(1)
2	271660028-T040	SWITCH ASSY.,ENGINE STOP(OIL ALERT)	1
3	271660027-T040	SWITCH ASSY.,ENGINE STOP	1
4	160210005-T040	COVER COMP.,FAN	1(-)
5	160210075-T041	COVER COMP.,FAN	(1)
6	380140011-0004	BOLT , FLANGE 6x10	4
7	193500008-T040		
8	380140531-0001	BOLT,FLANGE 6x8	3







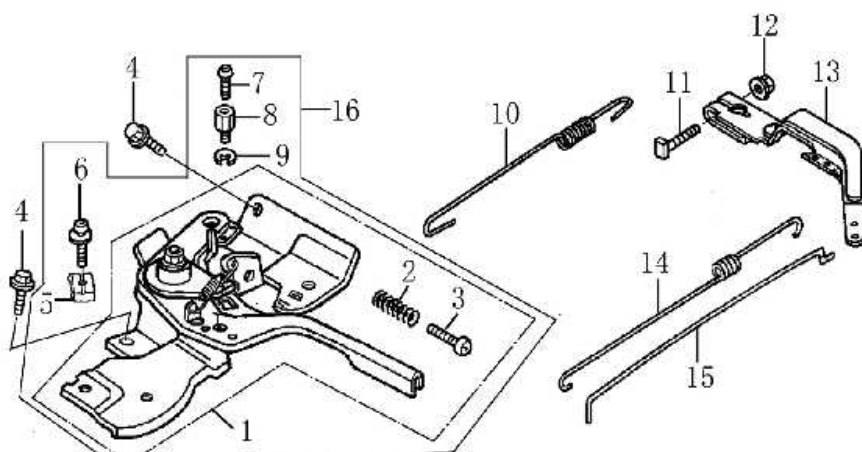
# HK 163 ENGINE



No.	Part No.	Description	G160F(D)
1	270020098-T041	FLYWHEEL COMP	(1)
2	270920162-T040	COIL ASSY.,IGNITION	1
3	270950040-T040	CAP ASSY.,NOISE SUPPRESSOR	1
4	380140102-0004	BOLT,FLANGE , 6x25	2
5	270020097-T040	FLYWHEEL COMP	1(-)
6	380140102-0004	BOLT,FLANGE , 6x25	(2)
7	270190018-T111	COIL ASSY.,CHARGE	(1)
8	270190003-T111	COIL ASSY.,CHARGE	(1)
9	270280006-T041	CLAMPER ,CORD	(1)
10	380140089-0003	BOLT,FLANGE , 6x8	(1)
11	160180007-T040	FAN,COOLING	1
12	193590005-T040	PULLEY,STARTER	1
13	380370051-T040	NUT,SPECIAL	1

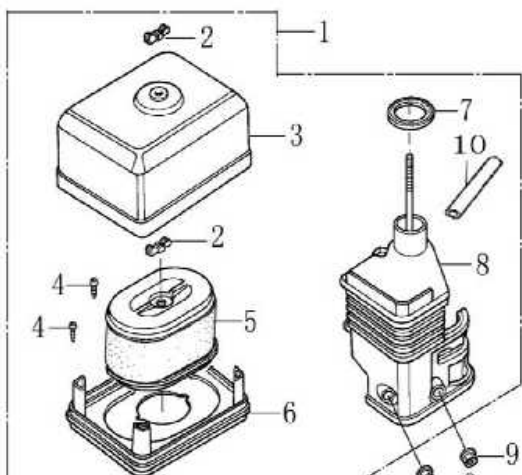


# HK 163 ENGINE



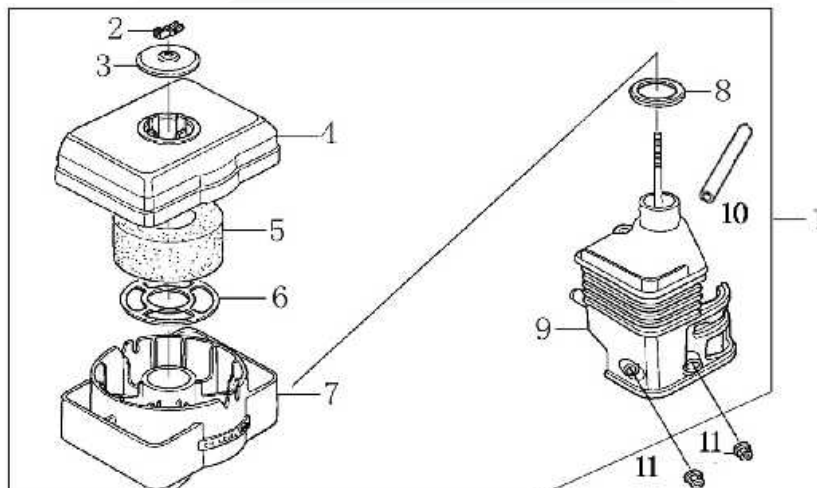
No.	Part No.	Description	G160F(D)
1	171680006-T040	CONTROL ASSY.	1
2	171660001-T040	SPRING	1
3	380200017-0005	SCREW , 5x35	1
4	380140011-0004	BOLT,FLANGE	2
5	171710004-T040	HOLDER, CABLE	1
6	380200010-0005	SCREW , 5x25	1
7	380200037-0003	SCREW , 4x6	1
8	171720001-T040	HOLDER,WIRE	1
9	380570018-0001	CIRCLIP	1
10	171600036-T040	SPRING,GOVERNOR	1
11	380250002-T040	BOLT,QUADRATE HEAD	1
12	380370066-0001	NUT,FLANGE	1
13	171620001-T040	ARM,GOVERNOR	1
14	171610002-T040	SPRING,THROTTLE RETURN	1
15	171590002-T040	ROD,GOVERNOR	1

# HK 163 ENGINE



No.	Part No.	Description	G160F(D)
1	180020317-T040	AIR CLEANER ASSY	-
	180020313-T046	AIR CLEANER ASSY	1
2	380440002-0001	NUT, TOOL BOX SETTING	2
3	180070083-T040	COVER, AIR CLEANER	-
	180070087-T046	COVER, AIR CLEANER	1
4	380310015-0005	SCREW	2
5	180100034-T040	ELEMENT ASSY., AIR CLEANER	1
6	180330018-T040	NOSE, SILENCER	1
7	380840437-T040	PACKING, ELBOW	1
8	180280001-T040	ELBOW COMP., AIR CLEANER	1
9	380370048-0001	NUT, FLANGE, 6MM	2
10	380740471-T040	TUBE, BREATHER	1

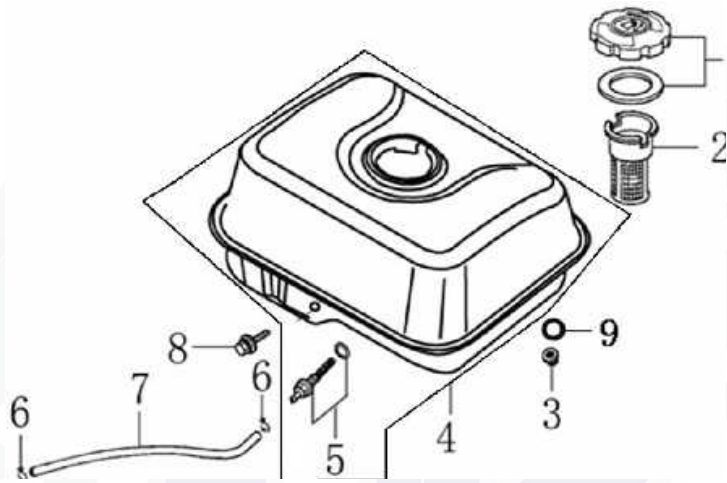
# HK 163 ENGINE



No.	Part No.	Description	G160F(D)	
1	180020320-T040	AIR CLEANER ASSY	1	
2	380440002-0002	NUT , TOOL BOX SETTING	1	
3	180220016-T040	CAP,CLEANER	1	
4	180070172-T040	COVER , AIR CLEANER	1	
5	180100041-T040	ELEMENT ASSY.,AIR CLEANER	1	
6	183010001-T040	GRID,AIRCLEANER	1	
7	180330040-T040	OIL CUP	1	
8	380840437-T040	PACKING , ELBOW	1	
9	180280030-T040	ELBOW COMP., AIR CLEANER	1	
10	380740471-T040	TUBE , BREATHER	1	
11	380370048-0001	NUT , FLANGE , 6MM	2	



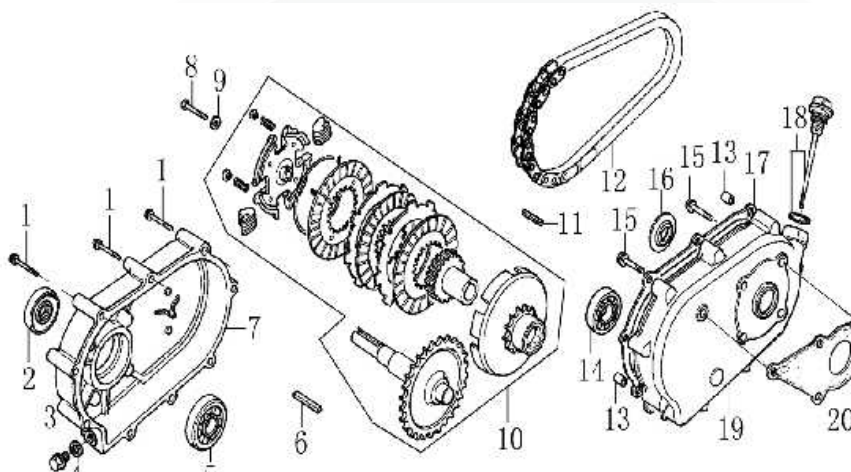
# HK 163 ENGINE



(FUEL TANK)

No.	Part No.	Description	G160F(D)
1	170870039-T040	CAP COMP.,FUEL FILLER (A)	1
2	170720001-T040	FILTER , FUEL	1
3	380370048-0001	NUT,FLANGE, 6MM	2
4	170500508-T046	TANK COMP.,FUEL	1
5	170660077-T040	JOINT ASSY.,FUEL TANK	1
6	380950188-T040	CLIP,TUBE	2
7	380750180-T040	TUBE,FUEL	1
8	380140171-0004	BOLT,FLANGE	1
9	380920086-T040	WASHER,RUBBER	2

# HK 163 ENGINE

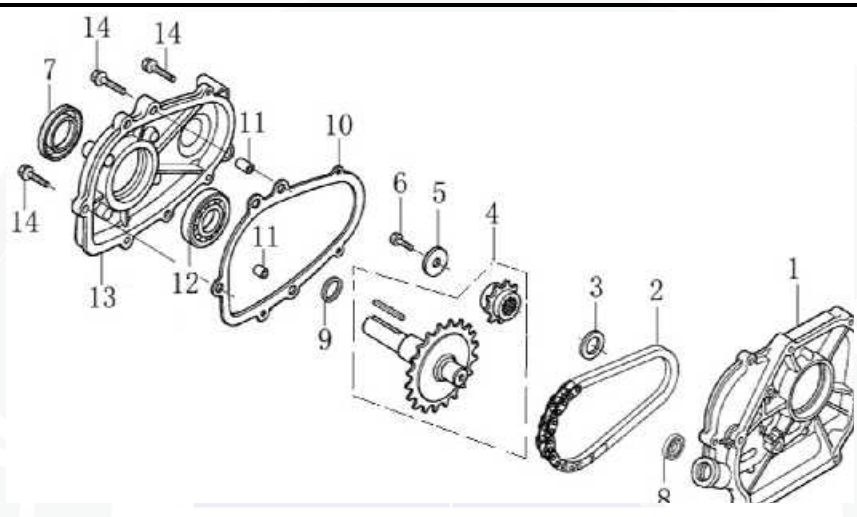


No.	Part No.	Description	G160F(D)-B
1	380140186-0004	BOLT,FLANGE, 6x55	9
2	380650343-T042	OIL SEAL,30x50x8	1
3	110260024-T110	BOLT,DRAIN PLUG	1
4	380450516-T110	WASHER,DRAIN PLUG	1
5	380630140-0002	BEARING,RADIAL BALL	1
6	380620033-0001	KEY 5X5X40	1
7	191920001-T042	RETARDER CASE COVER	1
8	380140358-0001	BOLT,FLANGE , 8x30	1
9	380450566-0001	WASHER,HOLDER ,8.4x16x1.5	1
10	190010111-T042	CLUTCH ASSY.	1
11	380620032-0001	KEY 5X5X33	1
12	260010131-T042	CHAIN,RETARDER	1
13	380600120-T040	PIN,DOWEL ,8x14	2
14	380630137-0002	BEARING,RADIAL BALL	1





# HK 163 ENGINE



No.	Part No.	Description	G160F(D)-C
1	110820015-T044	CASE COVER	1
2	260010132-T044	CHAIN,RETARDER	1
3	380450517-T044	WASHER	1
4	191950002-T044	CHAIN WHEEL	1
5	380450524-T520	WASHER	1
6	380140093-T044	BOLT 8x30	1
7	380650347-T320	OIL SEAL	1
8	380630259-T044	BEARING , RADIAL BALL	1
9	380450523-T044	WASHER	1
10	191930006-T044	PACKING	1
11	380600120-T040	PIN	2
12	380630137-0002	BEARING , RADIAL BALL	1
13	191920002-T044	COVER	1
14	380140028-0004	BOLT 8x32	6